



S.VENDEMIANO (TV)

CUCINA A GAS CON FORNO EL. A CONVEZIONE
GAS RANGE WIT ELECTRIC CONVECTION OVEN
FOURNEAUX AVEC FOUR ELECTRIQUE A AIR PULSE
HERD MIT ELEKTRO UMLUFTOFEN

CODICE

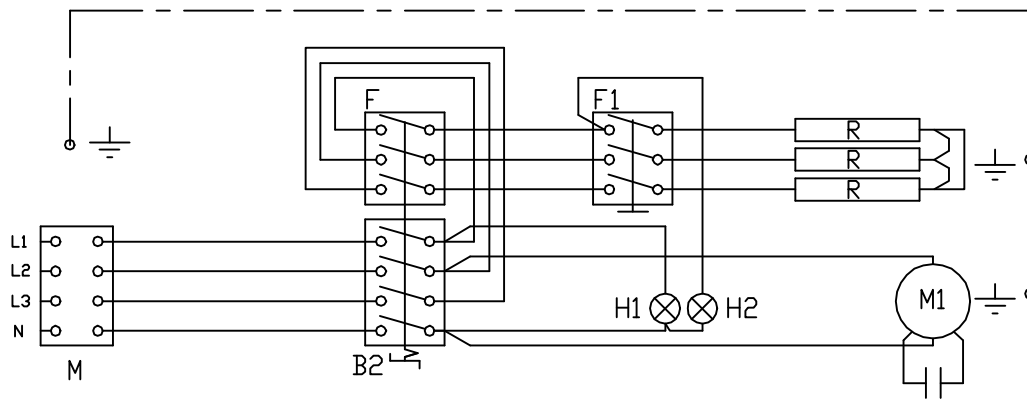
251.090.00

DATA 15.05.98

MOD.65/70 CFGE
CFGE/70A
65/110 CFGE
CFGE/110A
CFGE/70P
CFGE/110P
CFGE5/100P

MOD.70/70 CFGE
70/70 TPFGE
70/110 CFGE
70/110 TPFGE

MOD.90/80 CFGE
90/120 CFGE
90/81 CFGE
90/121 CFGE
90/80 TPFGE
90/120 TPFGE



- M -MORSETTIERA ARRIVO LINEA _ JUNCTION BOX POWER INLET (FV173 V/V) COD: 663.036.00
BORNES ARRIVEE LIGNE _ANSCHLUSSBRETT
- B2 -INTERRUTTORE _ CUTT-OFF SWITCH (EGO 49.41015.30) COD: 661.000.00
INTERRUPTEUR _ EIN-AUS SCHALTER
- F -TERMOSTATO _ THERMOSTAT (EGO 55.34052.815) COD: 661.027.00
- F1 -TERMOSTATO DI SICUREZZA - SAFETY THERMOSTAT (EGO 55.32562.802) COD: 661.045.00
THERMOSTAT DE SECURITE _ TEMPERATURBEGRENZER
- H1 -LAMPADA SPIA VERDE _ GREEN PILOT LIGHT COD: 663.000.00
LAMPE TEMDIN VERT _ GRUNE KONTROLLAMPE
- H2 -LAMPADA SPIA ARANCIO _ ORANGE PILOT LIGHT COD: 663.001.00
LAMPE TEMDIN ORANGE _ GELBE KONTROLLAMPE
- M1 -MOTORE _ MOTOR (230 V) COD: 664.000.00
MOTEUR
- R -RESISTENZA _ HEATING ELEMENT (1,26 kW - 230 V) COD: 665.008.00
RESISTANCE _ HEIZKÖRPER

SUSITUISUE PAKI NUMERU DEL 22.01.98

POTENZA TOTALE - TOTAL POWER
PUISSANCE TOTAL - ANSCHLUSSWERT

3,96kW 400V+3N~ 6,26A 50HZ